

# ASTRAL

LED Tracklight

CE IP20 LED RoHS eco\*

**5 YEAR WARRANTY**  
**85% SAVING**

NIXON provides a five year manufacturer's guarantee on all Nixon branded products.



## Specifications

Body	: Aluminium
Housing	: Aluminium
Reflector	: Aluminium
Diffuser	: Transparent Diffuser
Beam Angle	: 15° / 24°
Weight	: 1,03 KG
Power Source	: 100-240 V AC / 50-60 Hz
System Power	: 30W
Luminous Flux	: 3384 lm
Protection Class	: IP20
CRI (Ra)	: ≥95 (NIX-316-ASR-01, NIX-316-ASR-02)
CCT (Kelvin)	: 2700K- 3000K - 4000K - 5000K

- Back view and design properties of track spots might cause unwelcome space employment if the ceiling height is restricted. Astron aims to minimize the back view and application area by means of the led module which shrinks and narrows from front to back with modern lines.

Astron is attached to the led driver by a fine U shaped handle. The designer gets the best performance as redirecting angle of Astron is horizontally 270 degrees and vertically 130 degrees.

Astron is introduced with two contrast colour options and it is available with various lens and diffusers.

### Heat Generation



HID/Sodium : 100 C  
LED : 35 C

### Light Source Life



HID/Sodium : 15.000 Hrs  
LED : 50.000 Hrs

### Mercury Safety



HID/Sodium : Contains  
LED : -

### Equal With

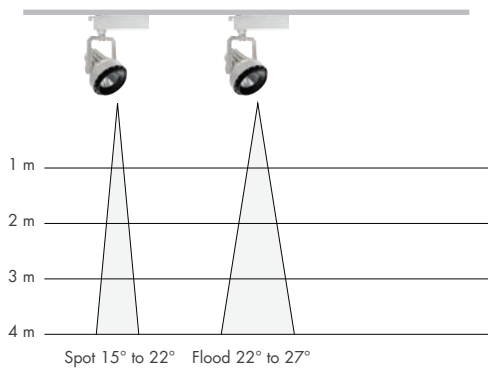


G12 SDM-T 50 W

## Applications

Retail, Museum, Exhibition.

Available Colors:  White RAL9016  Black RAL9005



Various Diffuser and Lens Options

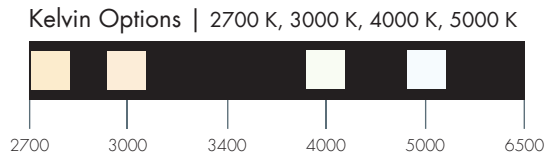


Improved Tilt & Yaw Capabilities



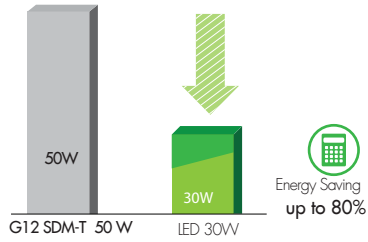
- Ideal for accent lighting in museums, exhibitions, art galleries and sales and display areas
- Low power consumption while high light efficiency, power consumption just 20% as much as high pressure sodium lamp, mercury lamp at the same luminous condition, it saves energy more than 75% than that traditional light.
- Die casting aluminum housing, with anti-static and anti-corrosion coating.
- Advanced quadratic light distribution design result in high uniformity of illumination and good lighting quality, clear lighting effect without a double image.
- Beautiful appearance, optional colorized or faceted diffusers available

Glare-free, highly efficient light for workstations All Nixon Tracklights meet the requirements specified in EN 12464 for lighting museums and retail environments.

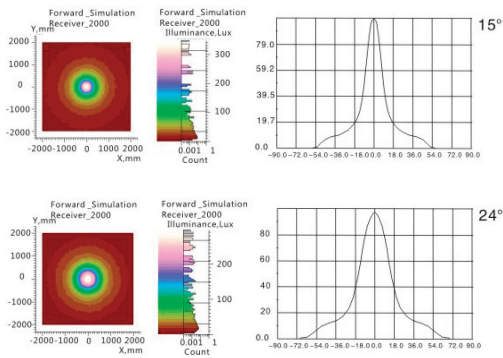


- Lightweight design
- Structure for easy installation
- Long life up to 50,000 hours

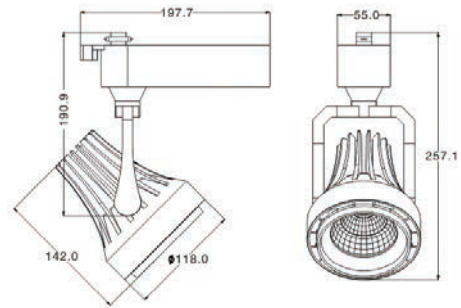
**i** Go to [nixonled.com](http://nixonled.com) for IES specific data and technical drawings.



## Light & Lumen Distribution Graphics



## Dimensions & Drawings



## Specifications

	NIX-316-ASR-01	NIX-316-ASR-02	NIX-316-ASR-03	NIX-316-ASR-04
Power Consumption	30W	30W	30W	30W
Input Voltage	220V AC (applied for 100-240V)			
Frequency	50/60 Hz (applied for 47-63 Hz)			
Ingress Protection	IP20			
Power Factor	>0.95			
Color Temperature(K)	Warm white: 2700K - 3000K ; Pure white: 4000K - 5000K			
CRI	Ra > 80			
Efficacy	114 lm/W			
Lifespan	up to 50000 Hours			
Material	99 % Pure Aluminum Alloy			
Dimensions	257 x 197 x 55 mm			
Net Weight	1,03 kg			

### Order Information

Article no	System Power	Lumen	Kelvin	CRI
NIX-316-ASR-01	30W	2657	2700K	>95
NIX-316-ASR-02	30W	2657	3000K	>95
NIX-316-ASR-03	30W	2657	4000K	>85
NIX-316-ASR-04	30W	2657	5000K	>85